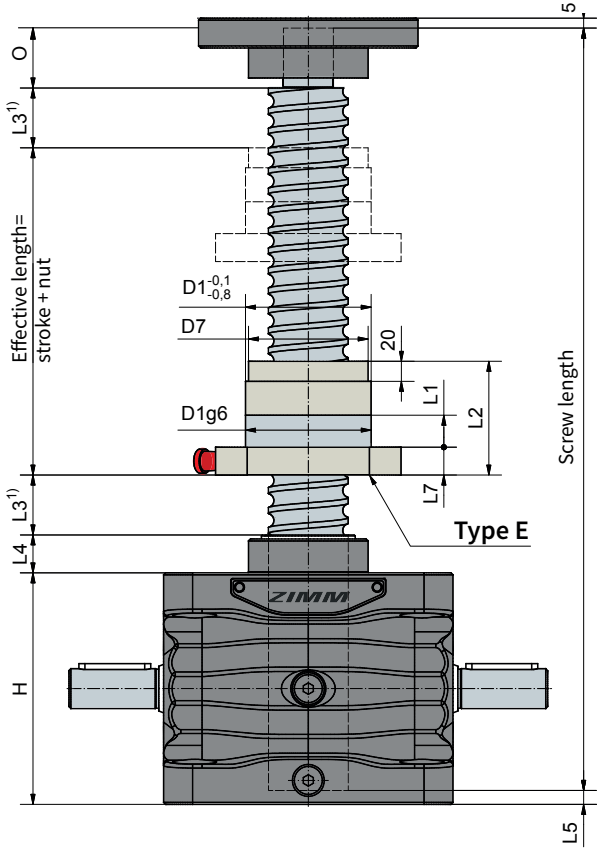
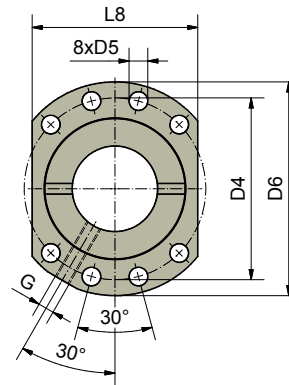


**KGT** **R** **150 to 200 kN**  
**KGT-R | rotating screw**



**Position of the flanged nut:**  
 G = flange gearbox side (as shown)  
 S = flange screw side



Hole pattern 2 to DIN 69051

Screw jacks	KGT Screw ØxP	Stroke per drive revolution		KGT Load rating kN		Nut Type	Nut Hole pattern	Lubrication hole G	Axial play max <sup>9)</sup> mm
		RN	RL	dyn. C <sup>2)</sup>	stat. C <sub>0</sub> =C <sub>0a</sub>				
ZE-150	63x10	1,11	0,28	150,2	598,4	E	2	M8x1	0,03
	63x20	2,22	0,56	173,5	346,2	E	2	M8x1	0,03
	63x40	4,44	1,11	96,6	205,1	E	2	M8x1	0,03
	63x60 <sup>3)</sup>	6,67	1,67	59,5	102,5	E	2	M8x1	0,03
ZE-200	80x10 <sup>3)</sup>	1,25	0,42	206	710,8	E	2	M8x1	0,03
	80x20	2,50	0,83	463,5	1163,7	E	2	M8x1	0,03
	80x40	5,00	1,67	283,8	902	E	2	M8x1	0,03
	80x60	7,50	2,50	193,6	582,5	E	2	M8x1	0,03



Screw jacks	KGT Screw							Dimensions mm										
	ØxP	d	dk	d3j6	O	H	D1	D4	D5	D6	D7	L1	L2	L3 <sup>1)</sup>	L4	L5	L7	L8
ZE-150	63x10	63	56,6	45	55	185	90	108	11	125		16	135	20	32	7	18	95
	63x20	63	51,8	45	55	185	95	115	13,5	135	90	25	135	40	32	7	20	100
	63x40	63	54,1	45	55	185	95	115	13,5	135	90	25	126	80	32	7	20	100
	63x60 <sup>3)</sup>	63	54,1	45	55	185	95	115	13,5	135	90	25	126	120	32	7	20	100
ZE-200	80x10 <sup>3)</sup>	79,4	74,36	50	65	176	105	125	13,5	145	-	16	160	20	34	5	20	110
	80x20	79,4	69,32	50	65	176	125	145	13,5	165	120	25	190	40	34	5	25	130
	80x40	79,4	72,68	50	65	176	125	145	13,5	165	120	25	190	80	34	5	25	130
	80x60	79,4	72,68	50	65	176	125	145	13,5	165	120	25	190	120	34	5	25	130

An increased screw (such as ZE-150-RN with screw 80x20) can also be used for the rotating version

1) Depending on the control system and drive, the dimension L3 can be reduced at your own discretion. An extension may be required if a bellows or spiral spring is fitted

2) Dynamic load rating to DIN ISO 3408

3) Non-preferred design

4) Reduced play 0,02 mm available on request