

Enquiries

Checklists | Sheet 1 – Parameter

1. max. lifting force in kN

per actuator	_____ kN	entire system	_____ kN	Installation axis		
				vertical	horizontal	pivoting
in tension	_____ kN	in compression	_____ kN	Type of load		
Load: static	_____ kN	dynamic	_____ kN	smooth	impact loads	vibration

2. max. lift/travel _____ mm effective working stroke _____ mm

3. Lifting speed
_____ mm/s

i See available stroke speeds table Standard configurations catalogue electromechanical actuators

4. Duty factor, work cycle, description of cycle

_____ strokes per hour _____ strokes per day Hours per day: 8 16 24

i For high duty factors or long strokes, please provide an exact detailed description on the following page

5. Motor Three-phase AC motor with brake Manual release _____

6. Operating conditions Dry Humid Dust Chipping _____

Guided movement No guides

Ambient temperature: min. _____ °C max. _____ °C (when < 10 °C and > 40 °C)

i If possible please provide an exact description or sketch on the following page

7. Standard layouts no.: _____ Size: MA1 _____ MA2 _____ MA3 _____ MA4 _____ MA5 _____

see standard layouts, checklists sheets 3 and 4 (for multi-jack systems)

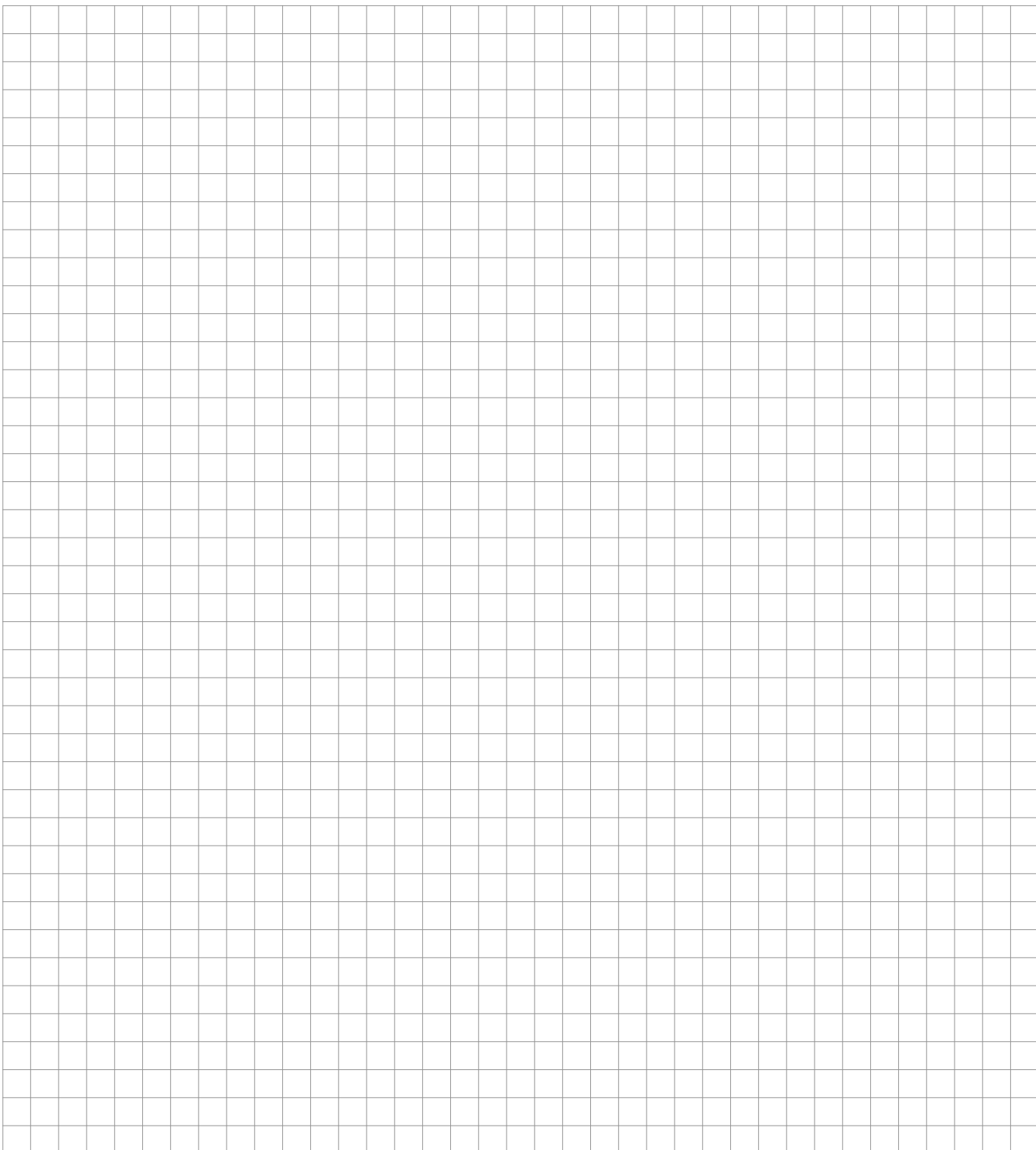
8. Quantity Required _____ Series _____

9. Schedule Quotation _____ Delivery _____

Enquiries

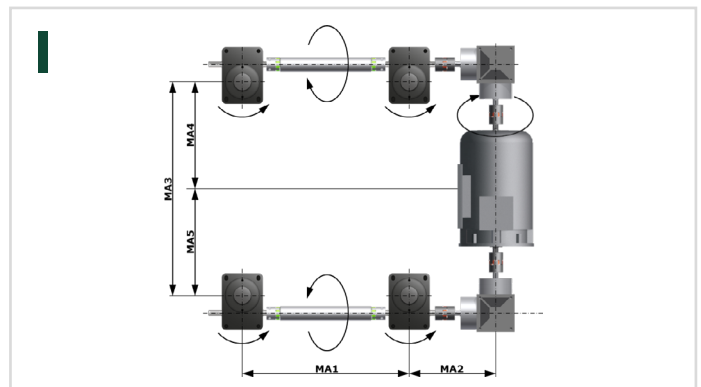
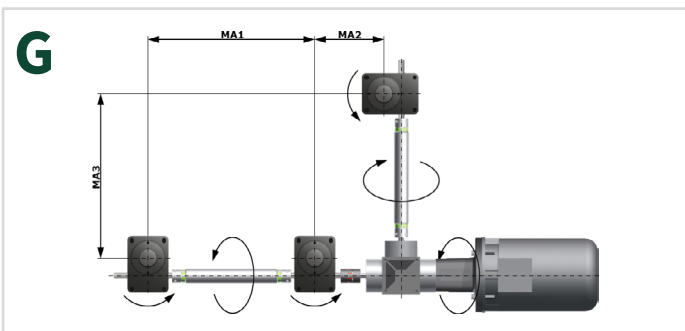
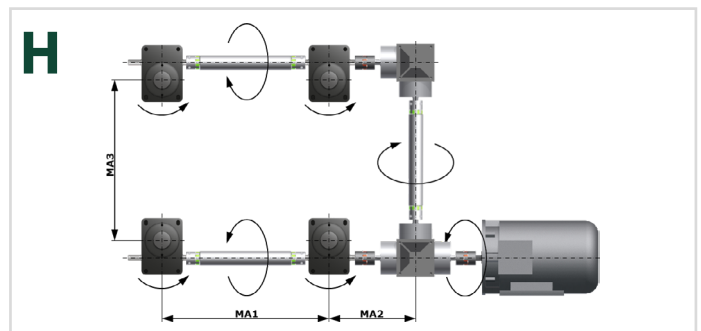
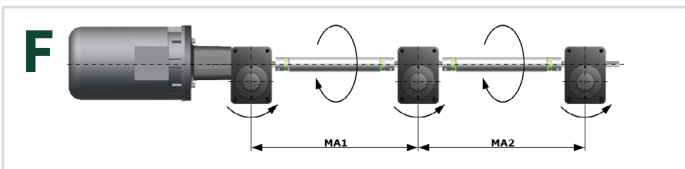
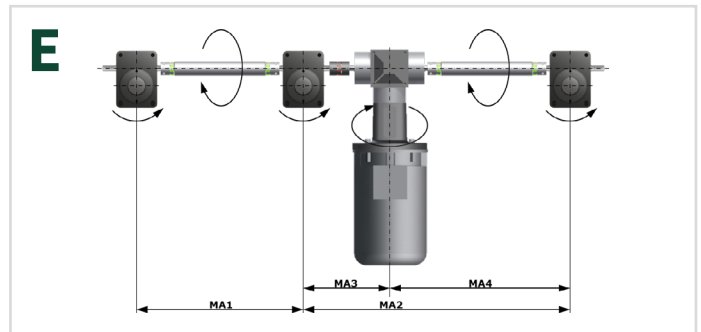
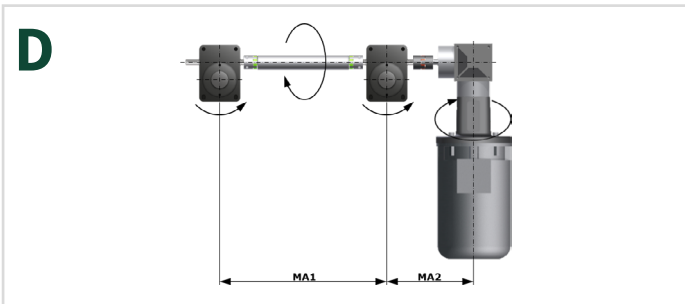
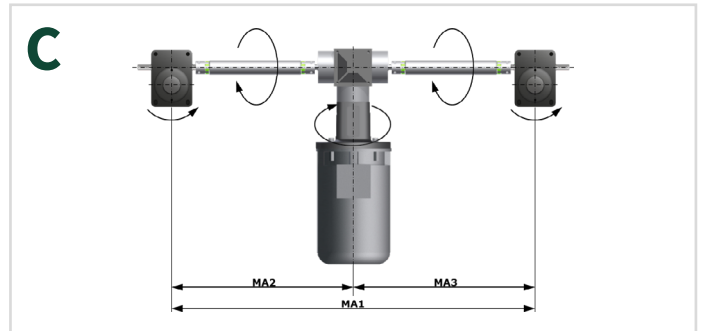
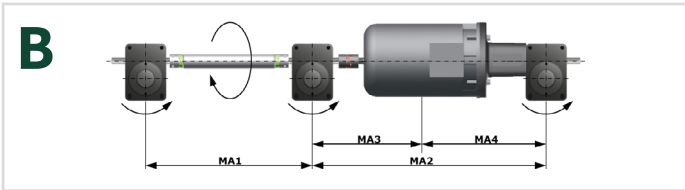
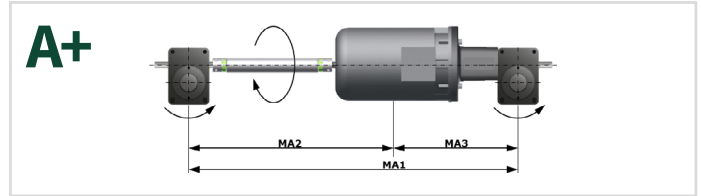
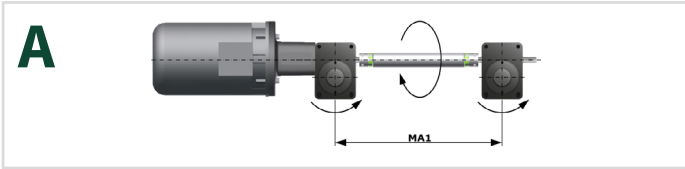
Checklists | Sheet 2 – Parameter (optional)

6a. Purpose / description of the function / ambient conditions (description or sketch)

A large grid of graph paper, consisting of 20 columns and 30 rows of small squares, intended for drawing or sketching a technical diagram or function description.

Enquiries

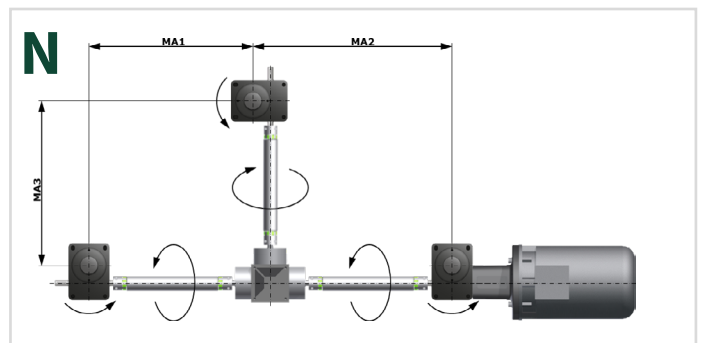
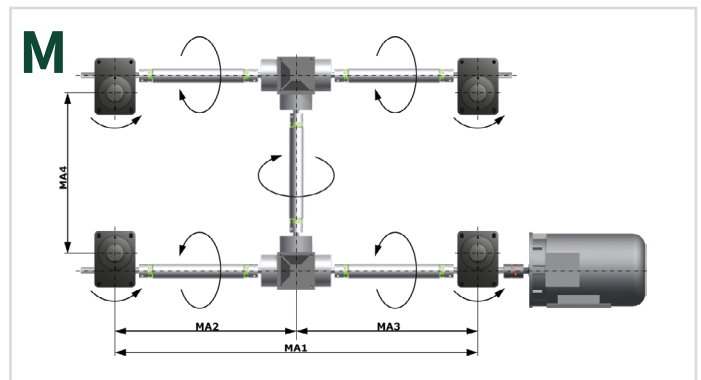
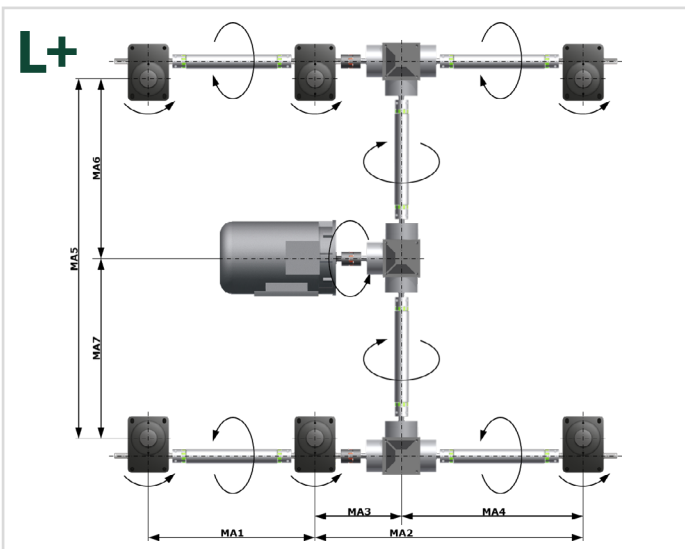
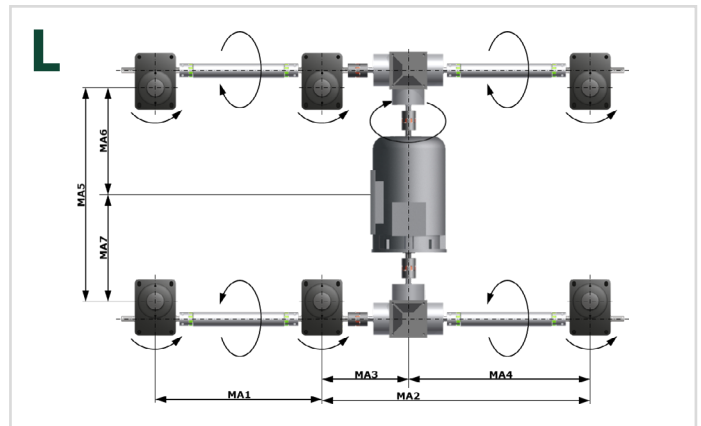
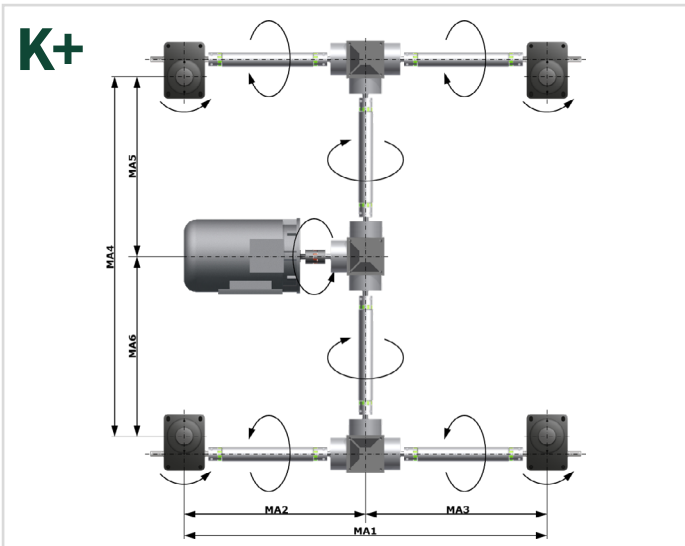
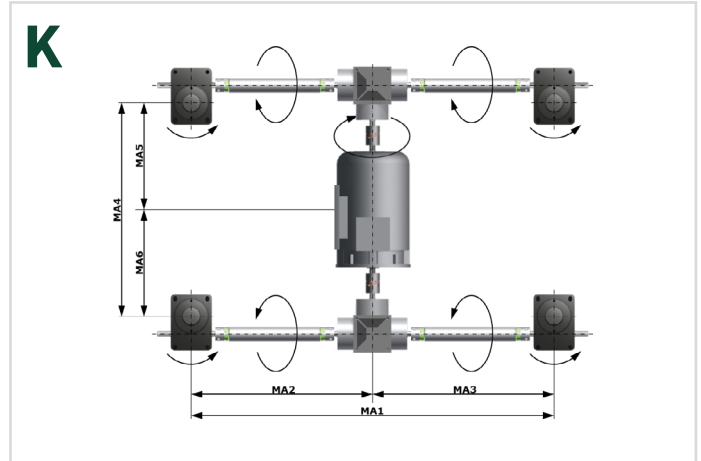
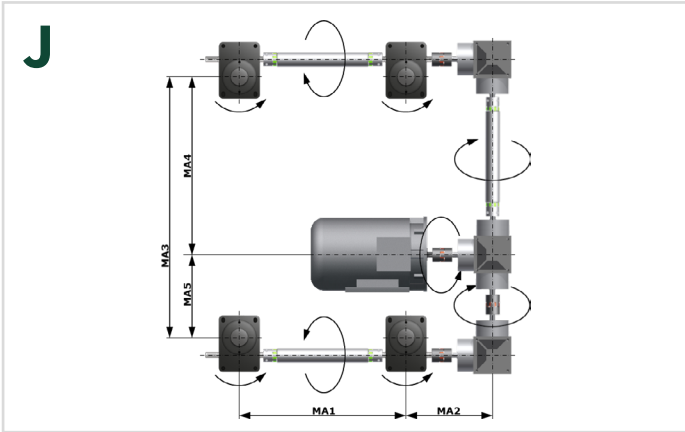
Checklists | Sheet 3 – System layouts



The most common layouts are shown.
If your design is different, be sure to check the direction of rotation.

Enquiries

Checklists | Sheet 4 – System layouts



The most common layouts are shown.
If your design is different, be sure to check the direction of rotation.



Enquiries

Checklists | Blatt 5 – List of components

Type:

normal
low speed

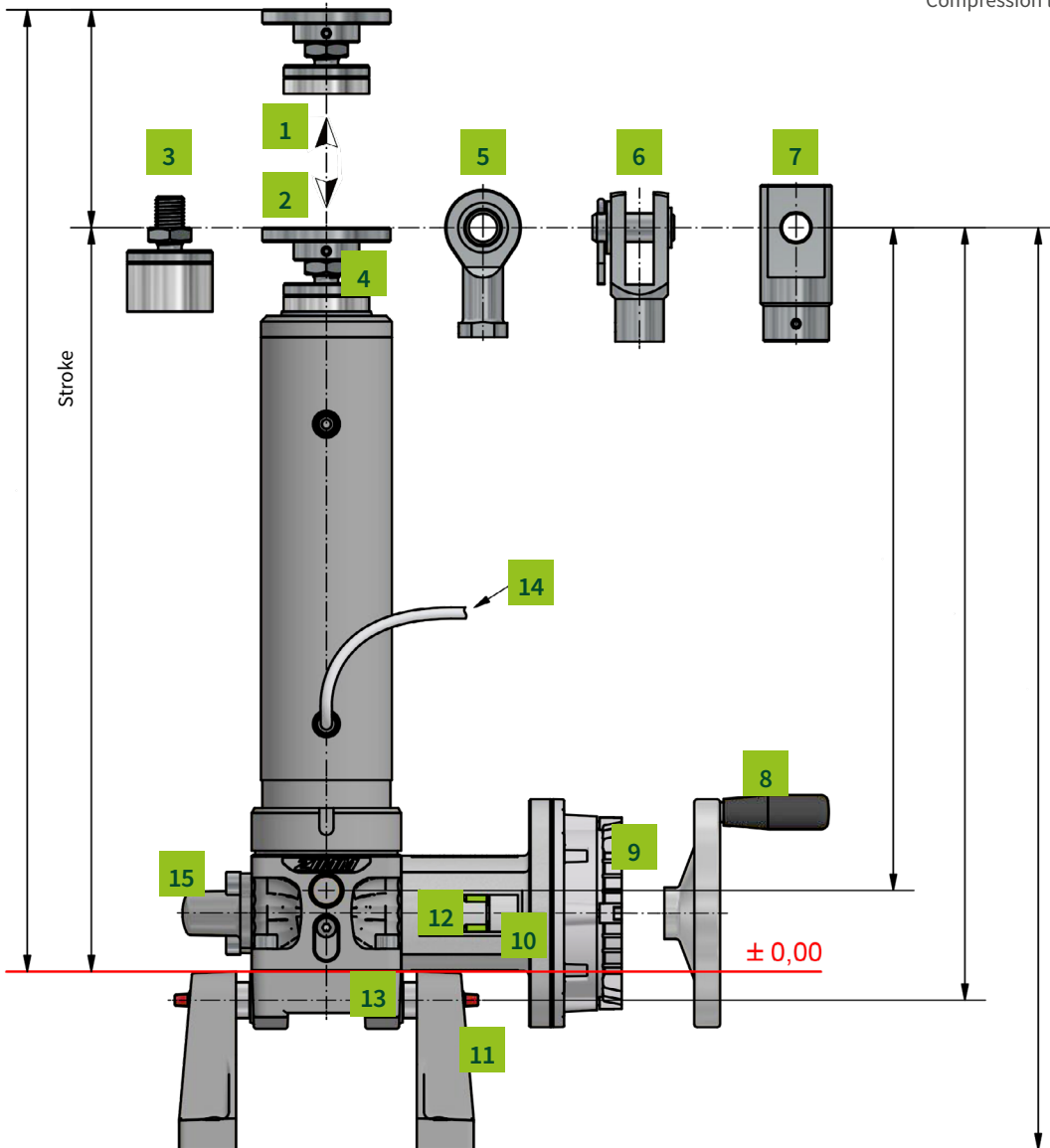
Variant:

Tr Screw
SIFA Safety nut
KGT Ball screw

Stroke:

_____ mm

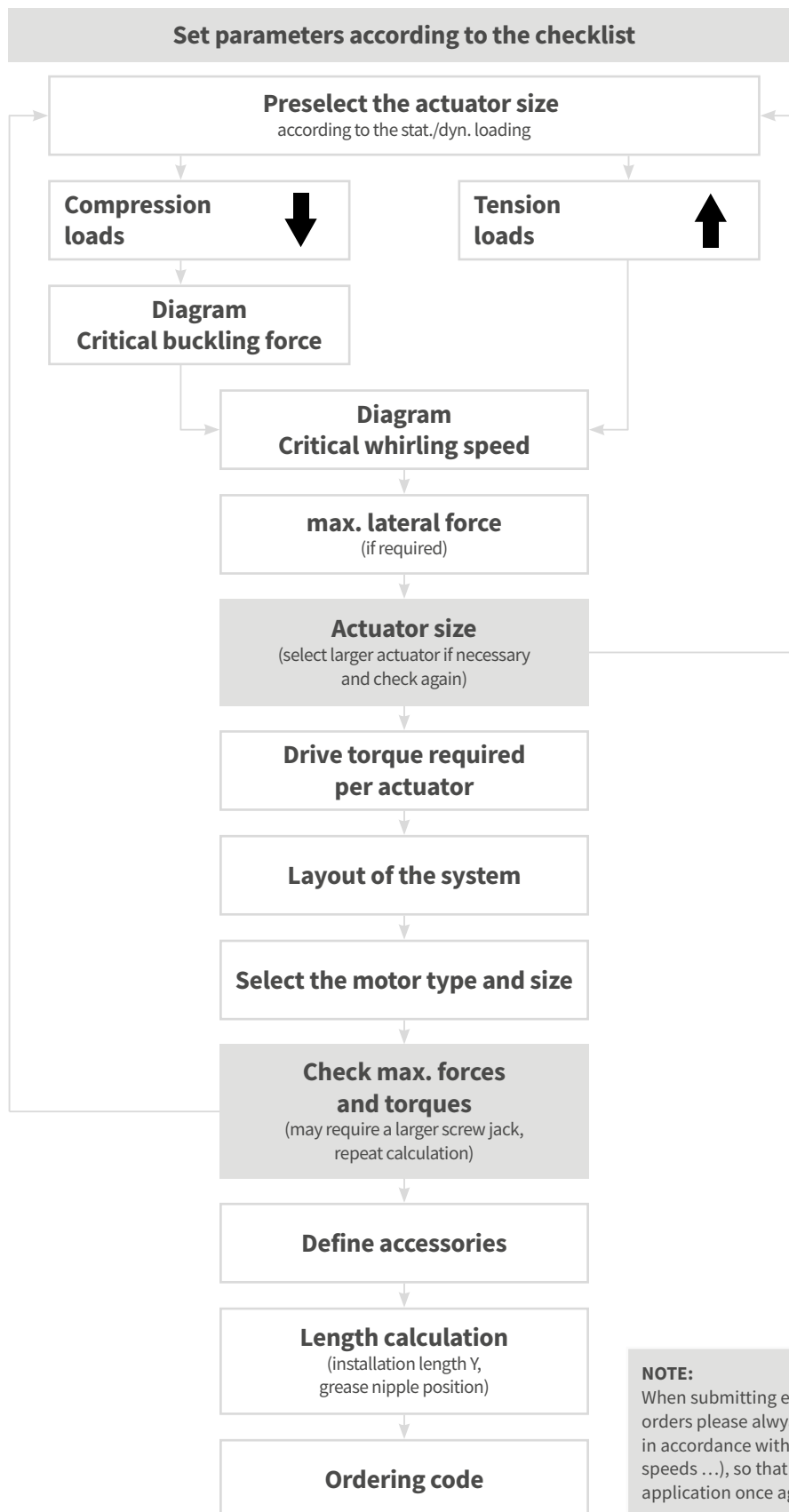
- 1. Tension load (kN): static _____
- Tension load (kN): dynamic _____
- 2. Compression load (kN): static _____
- Compression load (kN): dynamic _____



- 3. Standard
- 4. Fixing flange BF
- 5. Rod end KGK
- 6. Forked end GK
- 7. Pivot bearing end SLK
- 8. Handwheel HR
- 9. Motor with brake
Motor without brake
- 10. Motor flange MF
- 11. Pivot mount LB
- 12. Coupling KUZ
- 13. Pivot bearing plate KAR
- 14. Lubricator
(PLC-capable)
- 15. Protective cap SK

Procedure of specification

an actuator or lifting system



NOTE:
When submitting enquiries and placing orders please always specify the parameters in accordance with the checklist (loads, speeds ...), so that we can check the application once again.